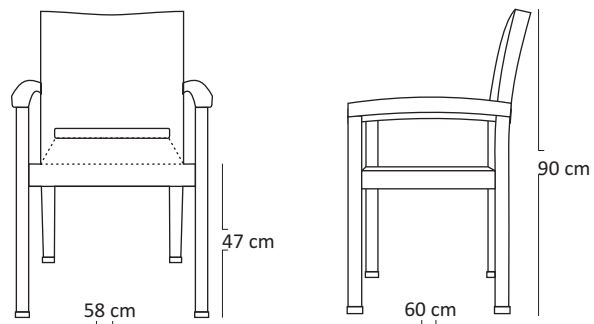


BALI DINING CHAIR

HTC33



Synthetic Wicker :

Rehau



Cappuccino



Black



Whitewash



Honey Wicker



White



Shimmer Nickel



Java Brown



Shimmer Russet

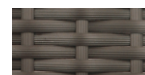
Viro



Moccacino



Dark Brown



Java G3

Description :

Innovative Raucord fiber made by Rehau, of Germany, hand woven by our craftsmen over a solid teak wood frame, the Bali chair combines the latest in polymer technology with the traditional weaving craft. Resulting in a comfortable yet hardwearing chair that also conveniently stacks upto 3 chairs and can be custom made in a wide array of colors.

Perfect for both indoor or outdoor setting in either commercial as well as residential use.

It blends in with most of our dining tables.

Dimensions :

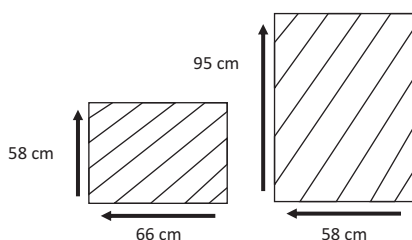
Length : 60 cm
Width : 58 cm
Height : 90 cm
Seat Height : 47 cm

Packaging :

Weight : 9 kg /Unit

Volume : 0.36 m³

Packing : 2 / Box



Cushion Fabrics :

Sunproof



110
Maroon Red



044
Pacific Blue



230
Green Leaf

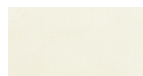


050
Bright Yellow

Sunbrella



5403
Jockey Red



5404
Natural White



5476
Hearther Beige



5446
Forest Green

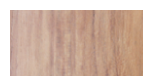


4610
Turquoise



5401
Pacific Blue

Finishing :



Natural