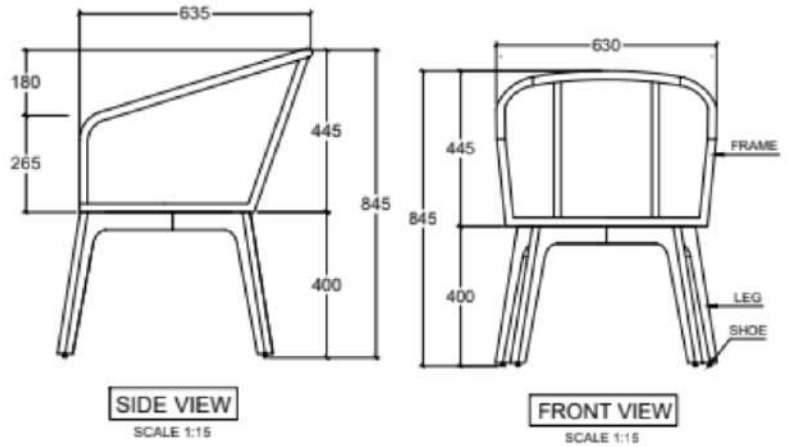


# MADISON DINING CHAIR

## MD-DC-STD



### DESCRIPTION

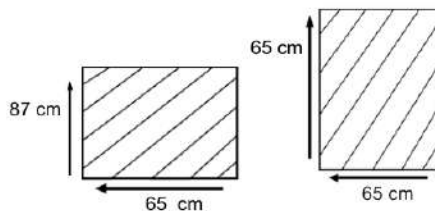
A contemporary outdoor dining chair suitable for all outdoors, be it a balcony or patio, pool side, or a beach side. Olefin rope woven for comfort, performance and functionality. A sturdy aluminium frame for strength with the comfort of high density foam covered with Olefin fabric.

### DIMENSIONS

Total Width: 63 cm  
 Total Depth: 63 cm  
 Height: 85 cm  
 Seat Height: 47 cm

### PACKAGING

Weight : 12.5 kg  
 Volume : 0.15 m<sup>3</sup>  
 Packing : 1 / box



### FINISHING



### CUSHION FABRICS

