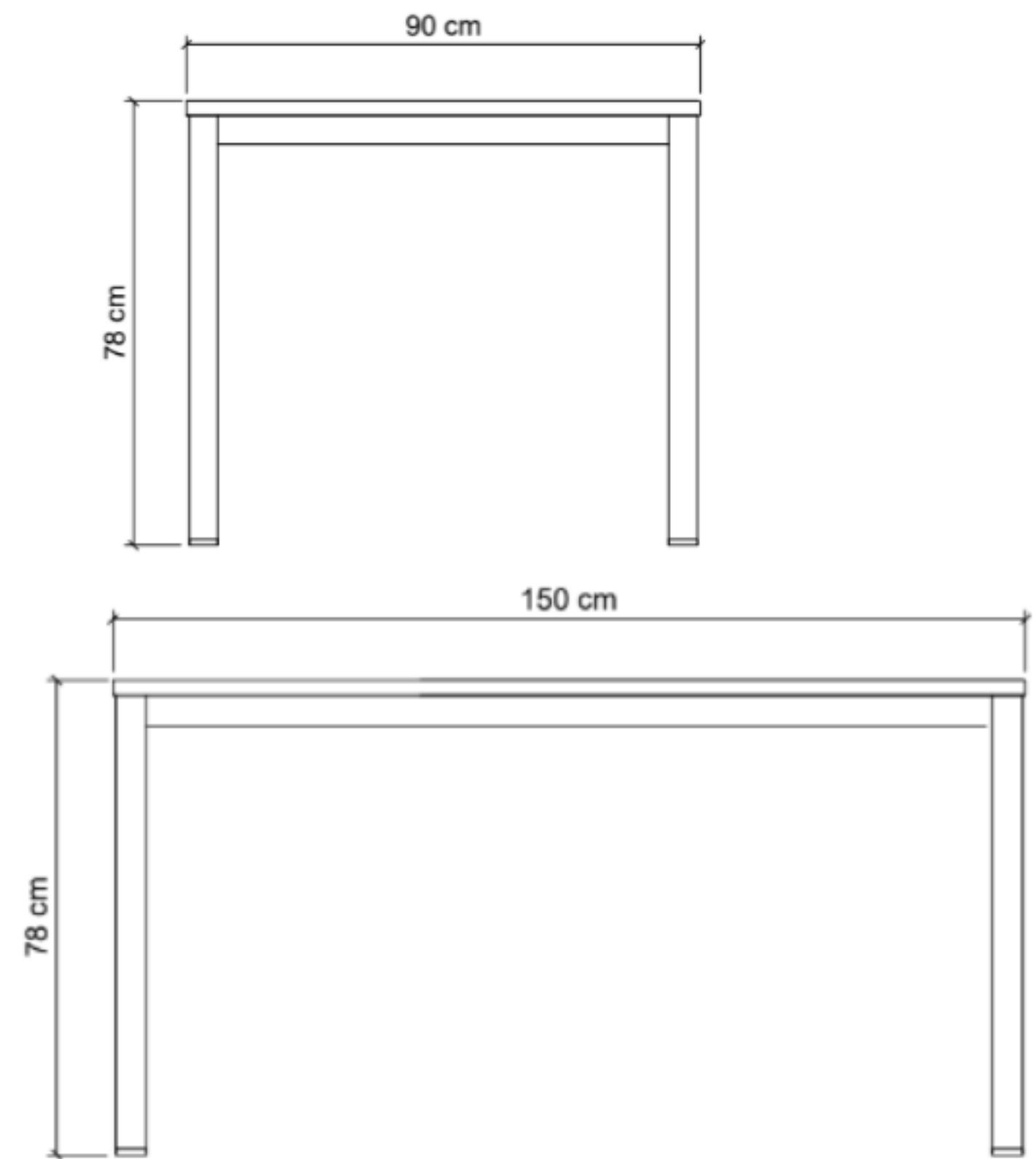
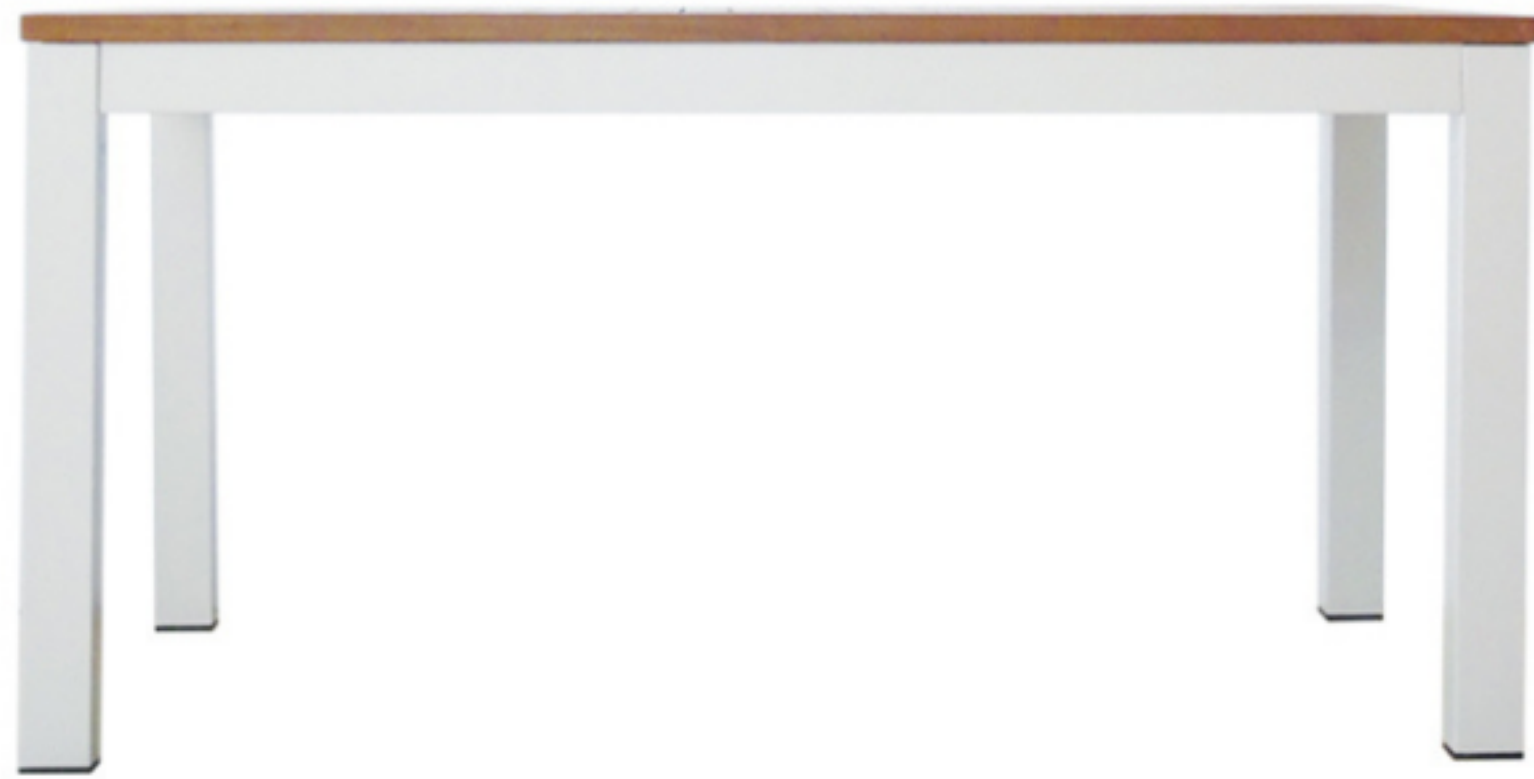


NUSA TABLE L150

NST150-WH



DESCRIPTION

Crafted by master craftsmen with attention to detail. Table top is made of hand selected, kiln dried timber. Perfect for outdoor dining areas. Teak wood being extremely long lasting is the optimal choice for commercial outdoor furniture. Knockdown construction for times when the furniture is to be stored. Powder coated corrosion resistant aluminium frame.

DIMENSIONS

Total Width: 150 cm

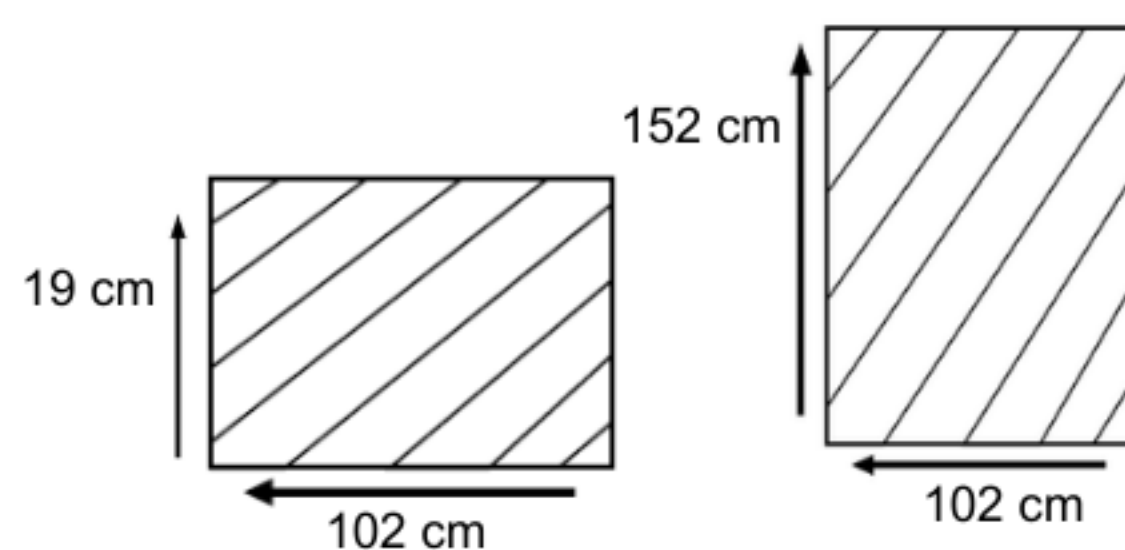
Total Depth: 90 cm

Height: 78 cm

PACKAGING

Weight : 36.5 kg

Packing : 1 / box



FINISHING



Natural

STAINLESS STEEL



Hairline Finish